

PRIMARY SEPARATOR

BARREL TOP SEPARATOR WITH EXTRACTOR

PRODUCTS / SERVICES

- ✓ Turbine Vacuum Producers
- ✓ Separators
- ✓ Vacuum Stanchions
- ✓ Arch Vacuum Stanchions
- ✓ Coin-Operated Separators & Stanchions
- ✓ Central Vacuum Systems
- ✓ Automotive Detailing Equipment
- ✓ Accessories
- ✓ Energy Conservation
- ✓ Custom CAD Design Services
- ✓ Custom Designed Central Vacuum Systems
- ✓ Factory Installation Services
- ✓ Repair/Exchange Program
- ✓ Vacutech Distributors

“Vacutech is committed to being the leader in cutting edge vacuum technology & innovation to the commercial, industrial and vehicle care industries”



The Barrel Top Separator is ideal for cleaning carpet or cloth surfaces. Top of separator is designed to connect to central vacuum system. Extractor vacuum hose has 1/2" water hose inside to feed water or shampoo solution through. Simply spray surface and vacuum. The Barrel Top Separator is galvanized to prevent rusting. A ball valve at the base of separator allows easy draining. Barrel Top Separator is displayed with single extractor nozzle, 1 1/2" x 20' hose. Rolling dollie, barb fitting, slide valve, and 3" x 4' flex hose are included.

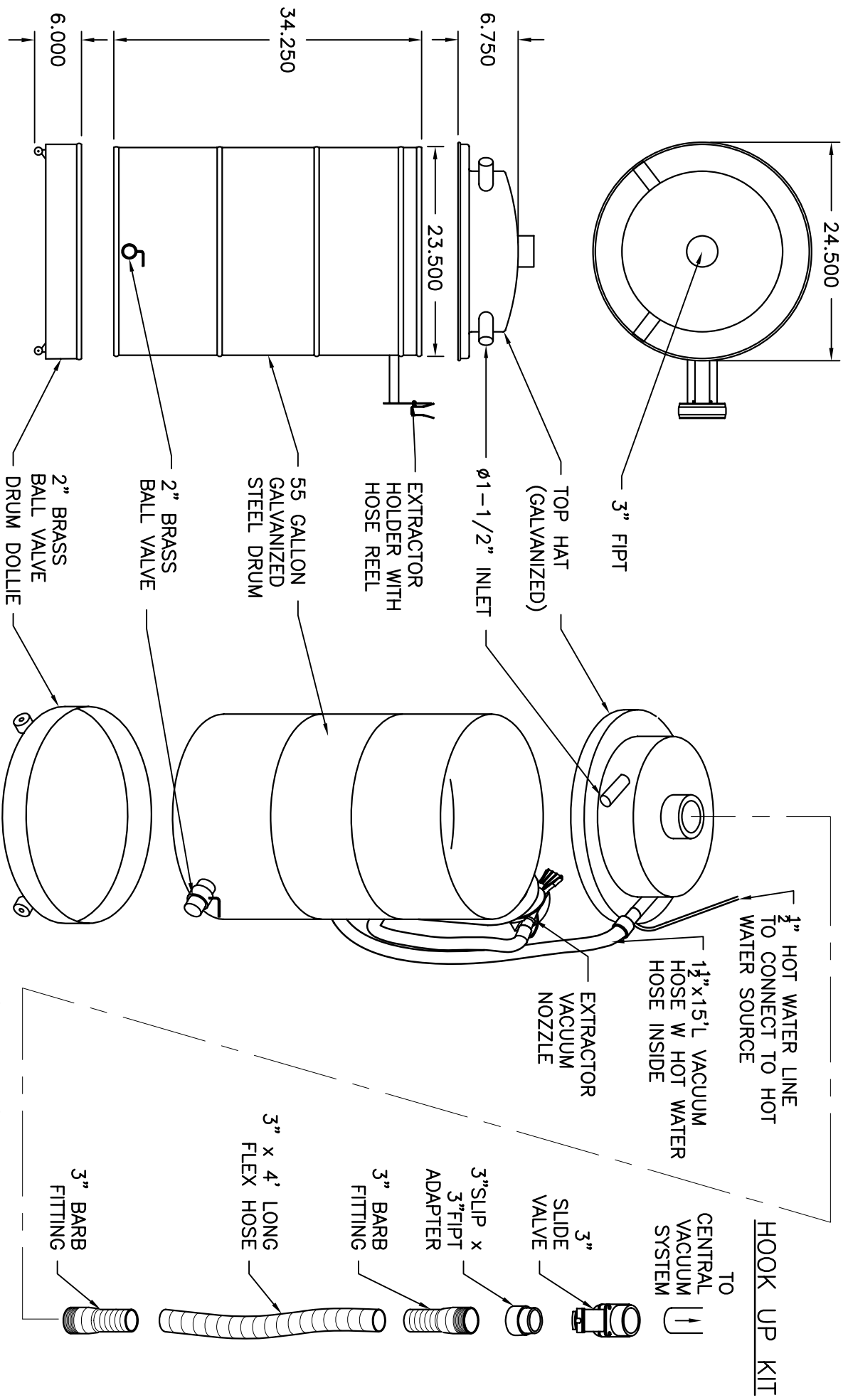


WWW.VACUTECHLLC.COM
800-917-9444
FAX: 303-327-7874



Vacuum Technologies Corporation
6810 South Jordan Road, Centennial, CO 80112





POWDER COATED, COLOR OPTIONS AVAILABLE
 LONGER EXTRACTOR HOSES AVAILABLE

BARREL TOP SEPARATOR

SINGLE EXTRACTOR HOSE, WITH EXTRACTOR NOZZLE

NTS
 4.28.09



VACUUM TECHNOLOGIES CORPORATION
 6810 SOUTH JORDAN ROAD
 ENGLEWOOD, CO 80112
 800-971-5444