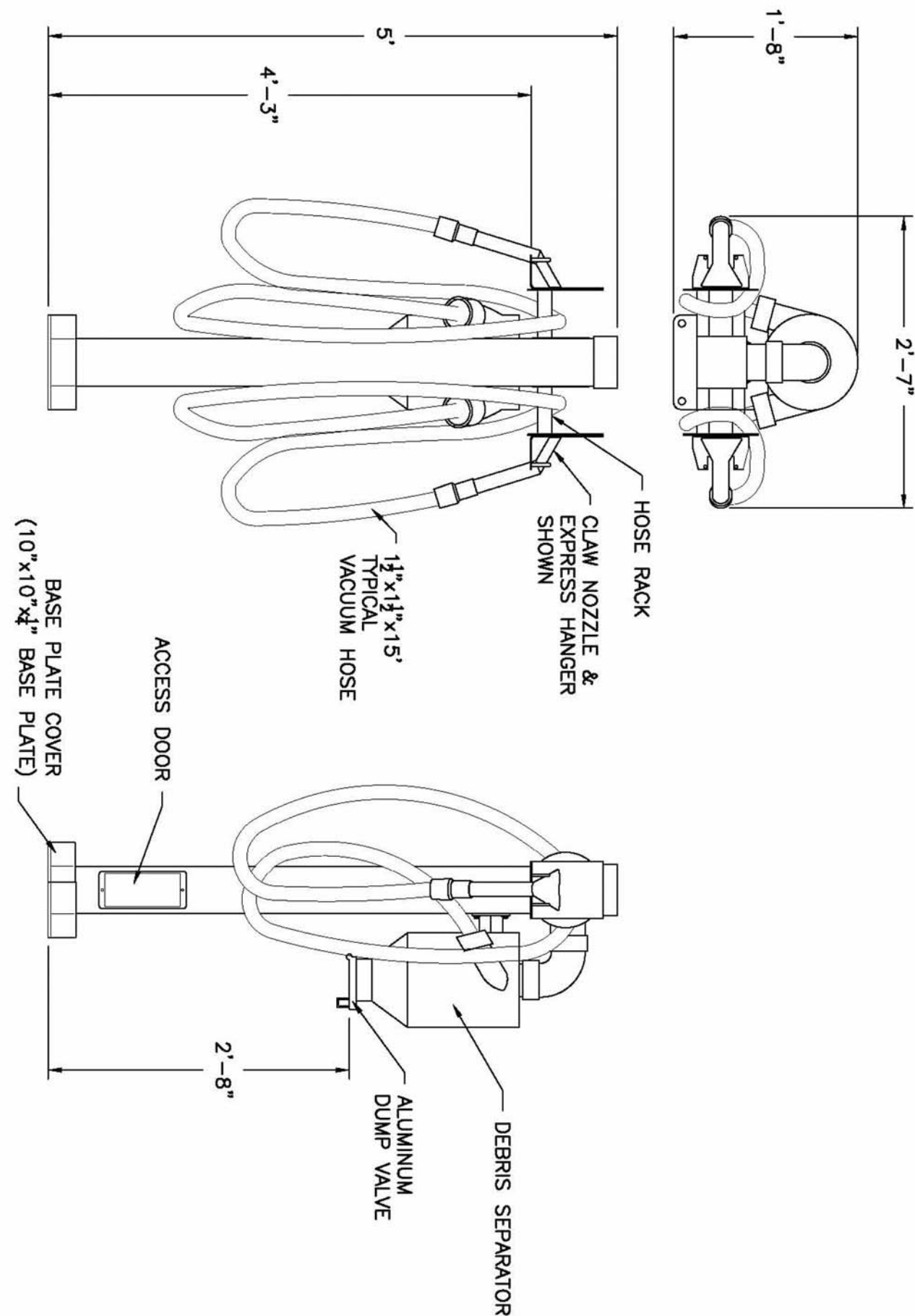


5" x 5" x 60" HOPPER STANCHION  
CLAW NOZZLE & EXPRESS HANGER SHOWN



VACUUM STANCHION

PRODUCTS / SERVICES

- ✓ Turbine Vacuum Producers
- ✓ Separators
- ✓ Vacuum Stanchions
- ✓ Arch Vacuum Stanchions
- ✓ Coin-Operated Separators & Stanchions
- ✓ Central Vacuum Systems
- ✓ Automotive Detailing Equipment
- ✓ Accessories
- ✓ Energy Conservation
- ✓ Custom CAD Design Services
- ✓ Custom Designed Central Vacuum Systems
- ✓ Factory Installation Services
- ✓ Repair/Exchange Program
- ✓ Vacutech Distributors

**“Vacutech is committed to being the leader in cutting edge vacuum technology & innovation to the commercial, industrial and vehicle care industries”**

# Hopper Vacuum Stanchion

Stanchion with Debris Separator for Central Vacuum Piping



Hopper stanchions distribute vacuum hoses at parked vehicle, providing easy access for the user. Hoses wrap around hose rack and vacuum tools attach directly to stanchion. Stanchions have an attached debris separator that removes large debris from entering vacuum piping system. Debris (such as keys, jewelry, pens, pencils, coins, moisture, etc.) will collect in separator and can be retrieved easily. Vacutech stocks standard Hopper stanchions in a variety of styles and colors, or can build custom stanchions to fit your specific needs.

Stanchions are powder coated to the color of your choice. Many color options are available for vacuum hoses and vacuum tools.



WWW.VACUTECHLLC.COM  
800-917-9444  
FAX: 303-327-7874



**Vacuum Technologies Corporation**  
6810 South Jordan Road, Centennial, CO 80112



4.5.10 NTS

## Draw Attention to Your Vacuum Area

Vacutech is proud to implement the creative designs and requests of each customer. From the smallest job to a complex vacuum system, we will work closely with you to make sure your needs are met.

Here you will find the components of our Hopper Vacuum Stanchion that make any project unique.

Each project is unique and many piping options are available.



*Hopper Stanchions with overhead piping, Easy Clean Car Wash, Lansing, Chicago*



*Hopper Stanchions with buried pipe, Suds Soft Touch, Corbin, KY*

## Vacuum Tools

Vacutech stocks a variety of different vacuum tools and hangers for any application.



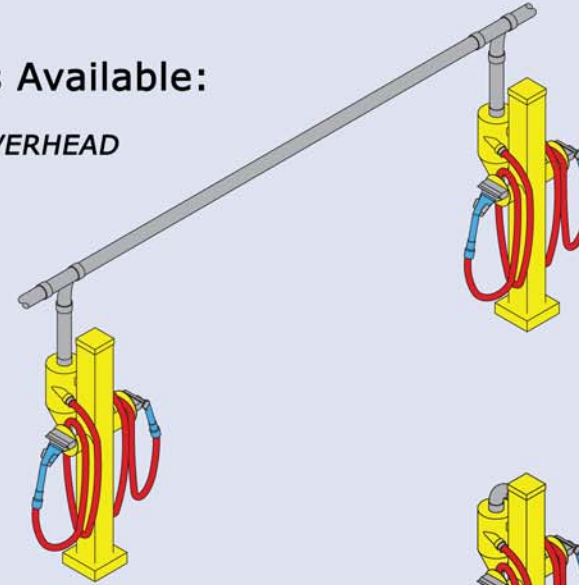
## Vacuum Hose

Our typical Hose Drop Kit includes a 1-1/2" x 1-1/2" x 15' vacuum hose with adapters. Cobra Hoses (2" x 1-1/2" x 20') are also available. Longer hose lengths and different color options are available.

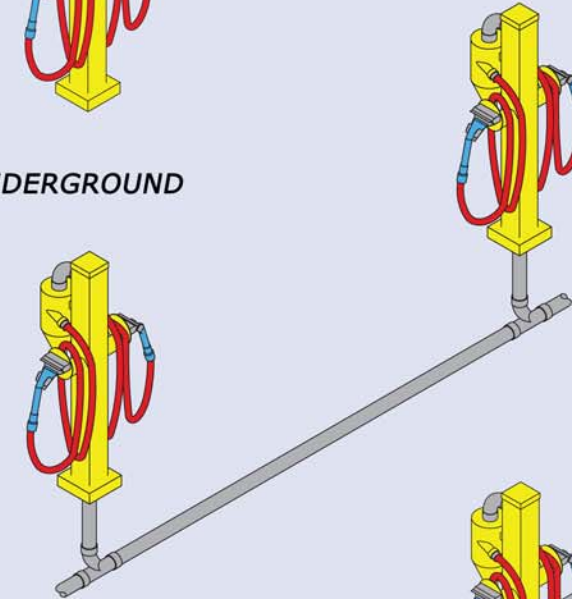
# Hopper Vacuum Stanchion for central vacuum system

## Many Piping Options Available:

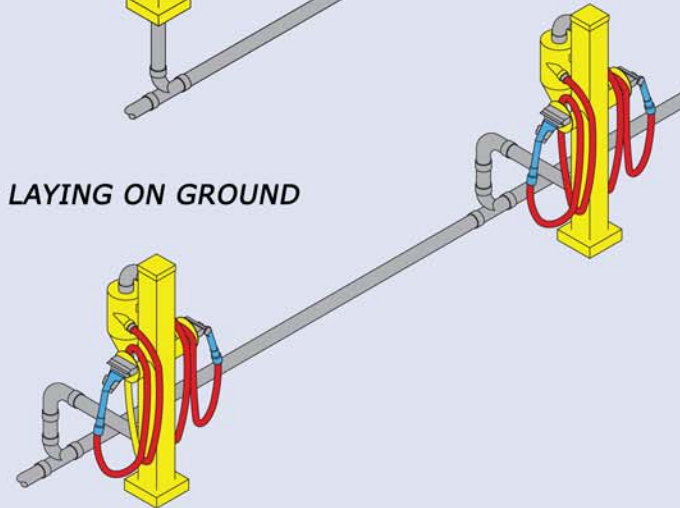
*STANCHION PIPED OVERHEAD*



*STANCHION PIPED UNDERGROUND*



*STANCHION PIPE LAYING ON GROUND*



## OTHER STYLES OF VACUUM STANCHIONS:

*Arch Stanchion, Overhead Piping, Speed Wash, Somerset, KY*



*Trellis Stanchion with Weblon Awnings, Breeze Thru Car Wash, Orlando, FL*



*Palm Arch Stanchions, Choice Car Wash, Las Vegas, NV*



*Arch Stanchion with Steel Awnings, Quick N Clean, Glendale, AZ*



## Hopper Debris Separator (Standard)

Hopper stanchions have an attached debris separator that removes large items from entering vacuum piping system. Debris or personal items (such as keys, jewelry, pens, pencils, coins, moisture, etc.) will collect in separator and can be retrieved easily. This separation eliminates clogs in piping system and reduces system maintenance. Each Debris Separator is fit with an Aluminum Dump Valve for convenient cleaning and removal of personal items. The dump valve is slotted for use with a padlock, as separator is likely to be full of change or other valuables at the end of the day. *Hopper Separators are available individually for wall mount or other applications.*



## Waste Receptacle Option

Waste receptacles may be fit to any side of stanchion. Receptacles are constructed of steel and have a 30 gallon removable polyethylene liner with lid. Waste receptacles are also available freestanding.



## Mat Rack Option

Mat Racks are available to attach to each stanchion. Mat racks provide the user with an angled ergonomic surface at a convenient height for vacuuming mats.

